



ISK
BEARINGS

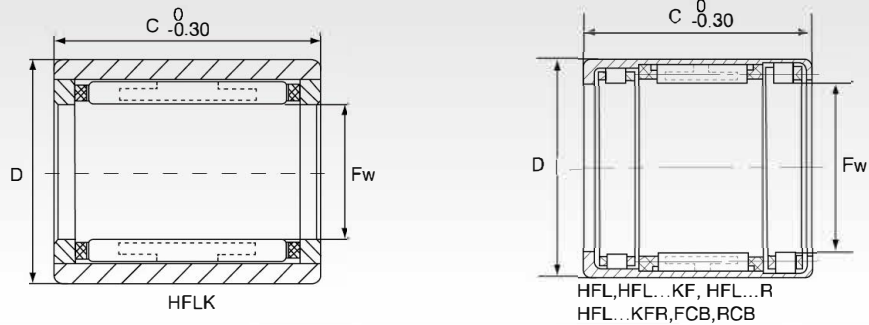
久大轴承有限公司
JOTA BEARING CO., LTD.

JOTA



冲压外圈滚针离合器和轴承组件

Drawn Cup Needle Roller Clutch and Bearing Assemblies



轴径 Shaft Diameter (mm)	轴承型号 Bearing Designation		重量 Mass 近似 Approx	外形尺寸 Boundary Dimensions			传动力矩 Pmissible Torque Md	C	Co	极限转速 Limiting Speed	
	塑料弹簧 Plastic Spring	钢弹簧 Steel Springs		Fw	D	C				轴旋转 Rotating Shaft Min ⁻¹	外圈旋转 Rotatng Outer Ring Min ⁻¹
			g	mm			N.m	KN			
3	HFL0308KF		3	3	3.6	8	1				
4	HFL0408KF		3.5	4	8	8	1.5				
6	HFL0615KF	HFL0615	4	6	10	15	1.76	-	-	23000	13000
	HFL0615KFR	HFL0615R	4	6	10	15	0.5	-	-	23000	13000
8		HFL061012K	5	6	10	12				21000	12000
		HFL081212K	6	8	12	12				20000	12000
		HFL081412K	7	8	14	12				19000	12000
	HFL0822KF	HFL0822	7	8	12	22	3.15	4.05	4.15	17000	12000
10	HFL0822KFR	HFL0822R	7	8	12	22	1	-	-	17000	12000
	HFL1022KF	HFL1022	8	10	14	22	5.3	4.3	4.65	14000	11000
	HFL1022KFR	HFL1022R	8	10	14	22	1.5	-	-	14000	11000
12	-	HFL1226	18	12	18	26	12.2	6.3	6.5	11000	8000
14	-	HFL1426	20	14	20	26	17.3	7.1	7.7	9500	8000
16	-	HFL1626	22	16	22	26	20.5	7.3	8.4	8500	7500
18	-	HFL1826	25	18	24	26	24.1	8.3	10.3	7500	7500
20	-	HFL2026	27	20	26	26	28.5	8.2	10.4	7000	6500
25	-	HFL2530	44	25	32	30	66	10.9	14.1	5500	5500
	-	HFL2550	65	25	37	50	100	14	17	5000	5500
30	-	HFL3030	51	30	37	30	90	12.6	17.6	4500	4500
35	-	HFL3530	58	35	42	30	121	13	19.3	3900	3900

JOTA BEARING



久大軸承有限公司

<https://iskbearing.com/>

TEL : +886-3-325-0202

E-mail : iskbearing@jota-bearing.com.tw

Address : NO.65, Ln.1434, ChunRi RD.,
33051 Taoyuan, Taiwan, R.O.C

